

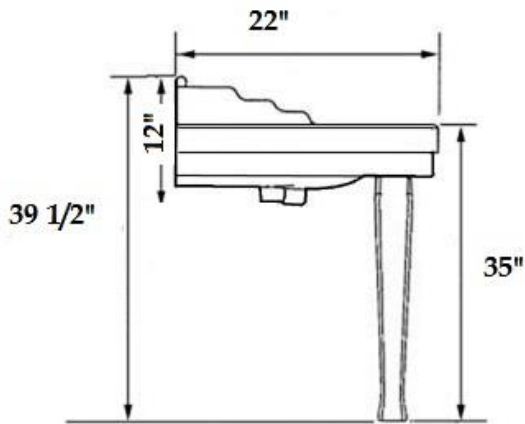
# Strom Plumbing

BY  
Sign of  the Crab

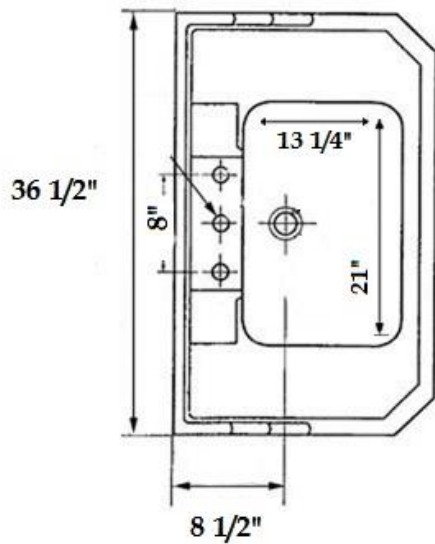
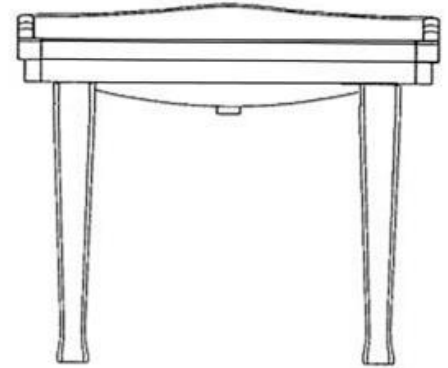

Ph: (916) 638-2722 / Fax: (916) 638-2725

## Installation Information

### Item #P1050 Console Sink



The  
**BOTTOM**  
of the  
mounting  
bracket is at  
28"  
off the floor



Sink Bowl Depth:  
Total depth: 6 1/4"  
To fill line: 5 1/2"



Sink weight = 130 lbs

**SIGN OF THE CRAB, LLC**