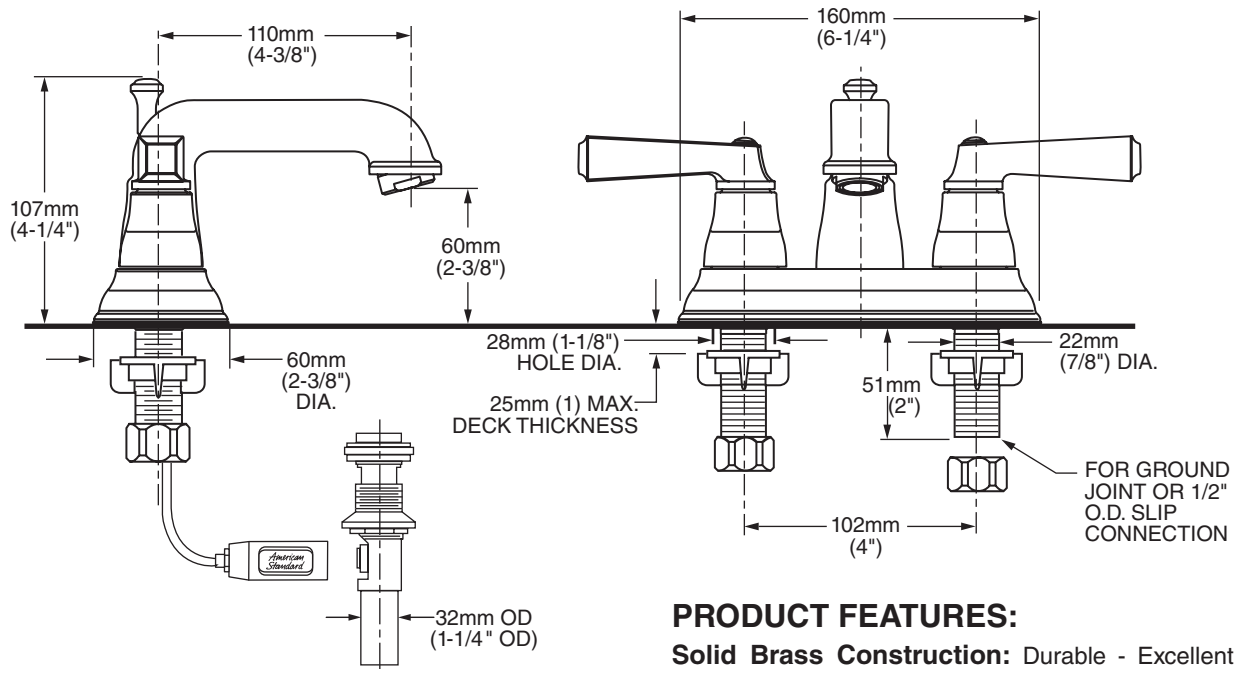


2555.201 Shown

MODEL NUMBER:

- 2555.201 Town Square 2 Handle Centerset
Pop-up drain. Metal Lever handles.



GENERAL DESCRIPTION:

Durable cast brass construction throughout. 1/4 turn washerless ceramic disc valve cartridges. One-half inch male inlet shanks. 20 inch (500mm) long flexible stainless steel drain cable is pre-assembled to spout. Metal Speed Connect® drain body with 1-1/4 inch (32mm) tail piece. 1.5 gpm/5.7L/min. maximum flow rate.

PRODUCT FEATURES:

Solid Brass Construction: Durable - Excellent in high use applications. Ideal for prolonged contact with water. Provides the finest surface for application of all colors and finishes.

Ceramic Disc Valve Cartridges: Assures a lifetime of drip-free performance.

Lead Free: Faucet contains ≤ 0.25% total lead content by weighted average.

Exclusive Handle Alignment System: Allows fine tuning of handle position.

Exclusive Speed Connect Metal Drain:

- Fewer parts. Installs in less time.
- No adjustments required - seals the first time, every time.
- Flexible stainless steel cable - installs effortlessly in tight spaces.

Choice of Finishes: Wide range of durable finishes.

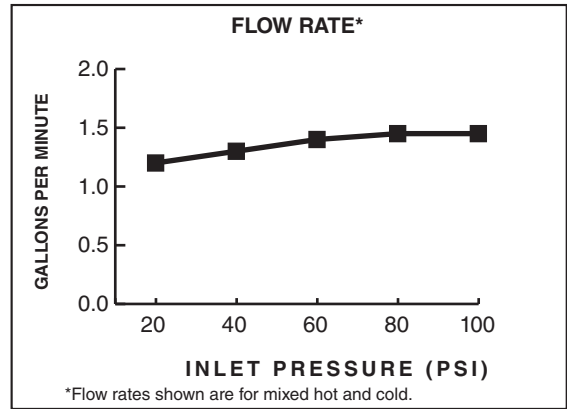
SUGGESTED SPECIFICATION:


4" centerset lavatory faucet shall feature cast brass construction. Shall also feature 1/4 turn washerless ceramic disc valve cartridges. Shall also feature a metal drain body with stainless steel cable actuation. Fitting shall be American Standard Model # 2555.201._____.


CODES AND STANDARDS

These products meet or exceed the following codes and standards:

- ANSI A117.1**
- ASME A112.18.1**
- CSA B 125**
- NSF 61/Section 9 and Annex G**



Product Number	Description	Finish Options		
		Polished Chrome	Oil Rubbed Bronze	PVD Satin Nickel
		002	295	295
2555.201	Town Square 2 Handle Centerset with Metal Speed Connect® Pop-up drain. Metal Lever handles. 			

 Meets the American Disabilities Act Guidelines and **ANSI A117.1** Requirements for the physically challenged.